


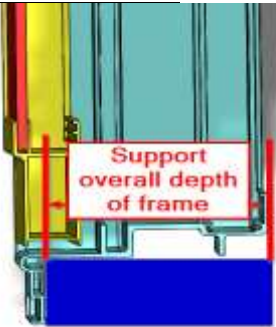
Challenger Door

1300 Series Concession Awning Installation Guide

Date: 1/3/19

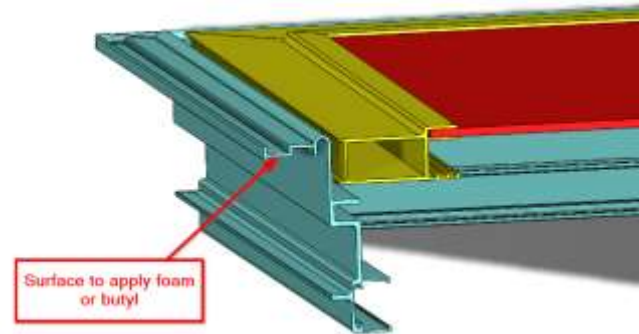
BY: AWY

****Be sure to check that Rough Opening measures to the size stated on the door label, and is square and even on all sides. Challenger Door sizes doors to properly fit whatever opening our customer has. Be sure that the opening has proper framework supporting it (ie; aluminum/steel tubing or lumber). For any clarification on how to measure Rough Opening visit <https://www.challengerdoor.com/measure/> ****

Tools and Supplies needed	<ul style="list-style-type: none">- screw gun- #8 or #10 screws 1" to 1½" long (Self-drilling screws are recommended)- closed cell foam tape or butyl tape- water sealing caulk and caulk gun- plastic or wood shims 1/8" to 3/16" thick.	
Proper Structure for Rough Opening	Be sure that the frame work is strong enough and deep enough to support your concession awning and the window.	

Place door in opening

1. Clean out and install closed cell foam or butyl. This helps to insure a tight seal once door is installed.
2. Center door in opening it insure proper fit.

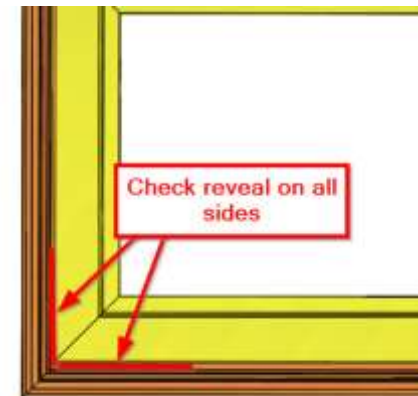
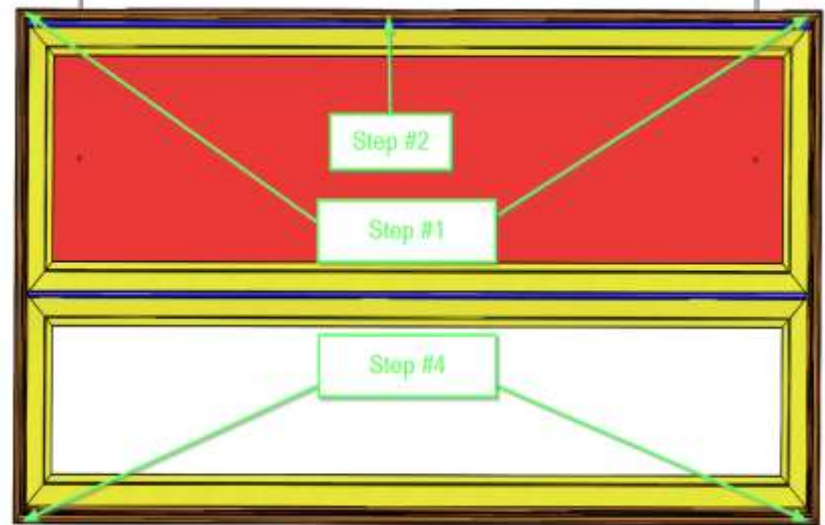


Secure door into opening

Trouble Shooting Tip

When you slide your windows back and forth and they fall out you need to check your reveal (gap) in the center of your window between the door frame and the mounting frame. If needed add shims between interior frame work and outer frame to correct reveal (gap). (Note Step # 3)

1. Hold door tight to the top of the opening and insert 1 screw in each corner of the door.
2. Add a screw close to the center at the top to ensure that the top of the door where the hinge is straight.
3. Check the reveal (gap) between the door frame and the mounting frame on all four sides checking, verifying that it is uniform all the way around.
4. Once uniform reveal is achieved, add a screw to each side on the bottom.
5. Open and close the door to insure proper function. ****Shims may be needed to ensure proper seal and function****
6. Check to confirm all sliding windows function properly before proceeding to step #7. If they are not functioning properly go back to step #3.
7. Finish installing screws around the whole door no less than 12" apart.
8. Install screw cover and drip cap if the awning is equipped with them.



Sealing the Door

1. To ensure proper bond. Clean the mounting frame and surface it bonds to.
2. Caulk at the top and down both sides of the mounting frame to ensure a watertight seal.

