


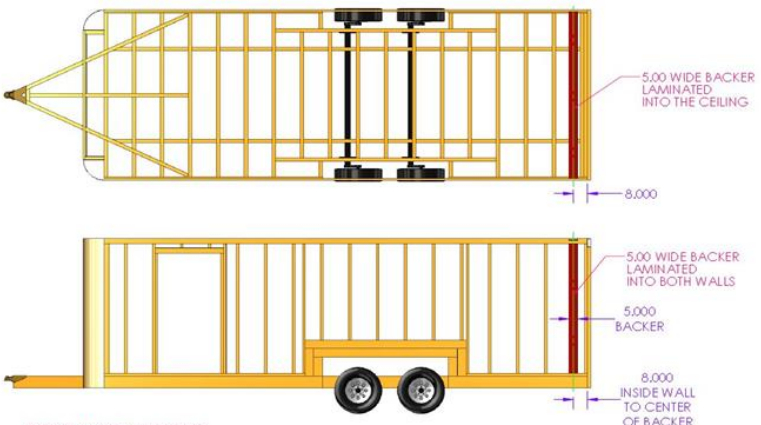
# Challenger Door

## 5600 Series Installation Guide

Date: 4/20/20

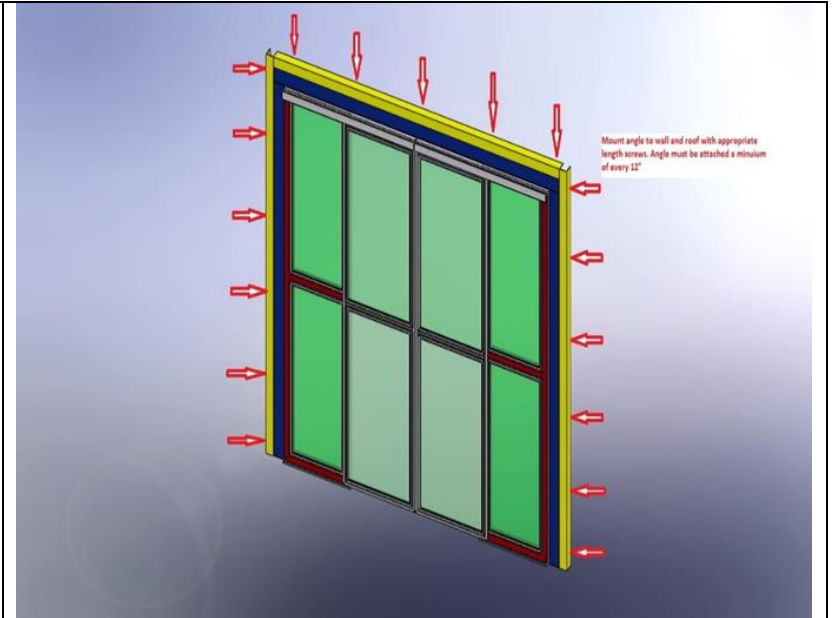
BY:AWY

**\*\*Be sure to check that Rough Opening measures to the size stated on the door label, and is square and even on all sides. Challenger Door sizes doors to properly fit whatever opening our customer has. Be sure that the opening has proper framework supporting it (ie; aluminum/steel tubing or lumber). For any clarification on how to measure Rough Opening visit <https://www.challengerdoor.com/measure/> \*\***

<p><b>Tools and Supplies needed</b></p>	<ul style="list-style-type: none"> <li>- screw gun</li> <li>- #8 or #10 screws 1" to 1½" long</li> <li>- plastic or wood shims 1/8" to 3/16" thick.</li> </ul>																																																								
<p><b>Check Trailer for Proper Backer</b></p>	<ol style="list-style-type: none"> <li>1 Check with trailer manufacturer to determine backer location in wall and roof.</li> <li>2. If the trailer does not have backer in the location desired. Backers will need to be added behind the wall before installation.</li> </ol>	 <p>TYPICAL BACKER LOCATIONS FOR FOLDING/SLIDING REAR PATIO DOORS. PATIO DOORS ARE SIZED USING THE ROUGH OPENING IN THE REAR DOOR.</p> <table border="1" data-bbox="1438 1372 2005 1477"> <tr> <td>A</td> <td>PRODUCTION RELEASE</td> <td>09/26/13</td> <td>REL</td> <td></td> </tr> <tr> <td>REV</td> <td>DESCRIPTION</td> <td>DATE</td> <td>DRW</td> <td>CHK</td> </tr> <tr> <td></td> <td>DESIGNED BY</td> <td>DATE</td> <td></td> <td></td> </tr> <tr> <td></td> <td>CHECKED BY</td> <td></td> <td></td> <td></td> </tr> <tr> <td></td> <td>DRAWN BY</td> <td></td> <td></td> <td></td> </tr> <tr> <td></td> <td>SCALE</td> <td></td> <td></td> <td></td> </tr> <tr> <td></td> <td>PROJECT NO.</td> <td></td> <td></td> <td></td> </tr> <tr> <td></td> <td>DATE OF ISSUE</td> <td></td> <td></td> <td></td> </tr> <tr> <td></td> <td>SCALE</td> <td></td> <td></td> <td></td> </tr> <tr> <td></td> <td>SCALE</td> <td></td> <td></td> <td></td> </tr> <tr> <td></td> <td>SCALE</td> <td></td> <td></td> <td></td> </tr> </table>	A	PRODUCTION RELEASE	09/26/13	REL		REV	DESCRIPTION	DATE	DRW	CHK		DESIGNED BY	DATE				CHECKED BY					DRAWN BY					SCALE					PROJECT NO.					DATE OF ISSUE					SCALE					SCALE					SCALE			
A	PRODUCTION RELEASE	09/26/13	REL																																																						
REV	DESCRIPTION	DATE	DRW	CHK																																																					
	DESIGNED BY	DATE																																																							
	CHECKED BY																																																								
	DRAWN BY																																																								
	SCALE																																																								
	PROJECT NO.																																																								
	DATE OF ISSUE																																																								
	SCALE																																																								
	SCALE																																																								
	SCALE																																																								

## Install the Mounting Angles

1. Determine location for angle on wall and roof. Making sure that there is adequate clearance to close the ramp door.
  2. Fasten angles to wall & ceiling with appropriate length screws with a maximum of 12" between screws. Be sure that all angles are straight and equal distance from the back of the wall.
- \*\*If mounting angles are not parallel the doors will not close properly\*\***



## Securing Doors to the Mounting Angles

1. Square door frame and check to make sure doors slide properly.
- \*\*Shims may be needed at the angles to the wall if doors need some adjustment to close together evenly\*\***
2. Fasten frame to angle every 12".
  3. After it is determined that doors function properly install the plastic guide block or magnets to the floor at the center of the doors.

