

Challenger Door

Process Control Document

Patio Railing Install

Date: 1/21/19

BY:AWY

****Be sure to check that Rough Opening measures to the size of the door, and is square and even on all sides. Challenger Door sizes doors to properly fit whatever opening our customer has. Be sure that the opening has proper framework supporting it (ie; aluminum/steel tubing or lumber). For any clarification on how to measure Rough Opening visit <https://www.challengerdoor.com/measure/> ****

Tools and Supplies needed

- screw gun
- 5/16" X 1" bolts and riv-nuts
- #12 X 3/4" self-drilling screws
- #14 X 1" self-drilling screws
- #10 or #12 Flat head self-drilling screw
- butyl tape



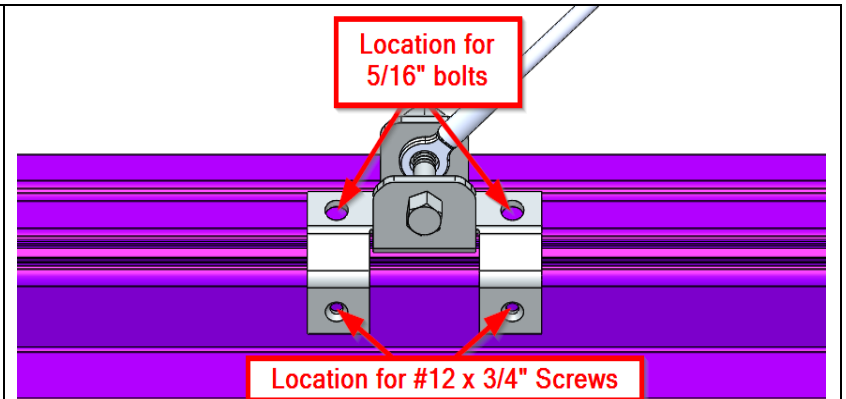
Install Cable Bracket

-Locate cable bracket per measurement on drawing. Mark the hole locations for 5/16" riv-nuts. Drill 17/32" holes and install riv-nuts.

****This step can be skipped if your Ramp is a Patio prep, the Riv-nuts will be installed.****

-Install two 5/16 x 1" bolts through bracket into riv-nut

- Install two #12 x 3/4" self-drilling screws into side of cable bracket.



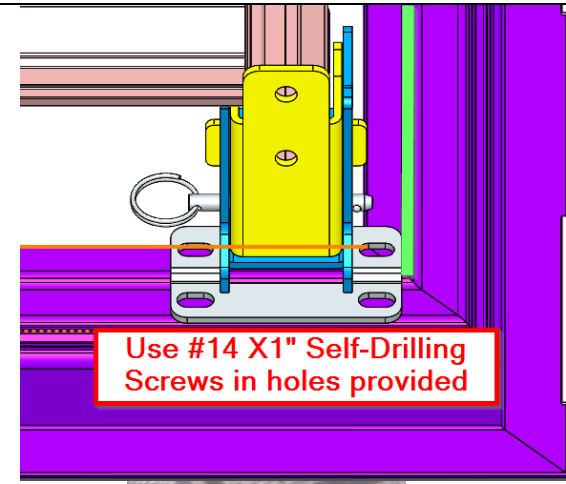
5/16"X1" Bolt



#12 X 3/4"
Self-Drilling
Screw

Install the Railing

-Prep brackets with butyl tape over the holes and locate Railing Brackets on the frame per drawing and install five #14 x 1" Pan Head Self-Drilling Screws.



-Locate footman loop per measurements on drawing. Attach with two #8 x 1 1/2" Flat Head Screws.

